

MULTI-CHIP LED for light source

LED chips with various wavelengths are installed onto one package.



Available wavelength [μ m]

Ultraviolet : 370nm, 395nm, 400nm

Visible : 430nm, 470nm, 500nm, 525nm, 560nm, 575nm, 590nm, 610nm, 620nm, 630nm, 635nm, 645nm, 660nm

Infrared : 700nm, 740nm, 770nm, 805nm, 810nm, 830nm, 850nm, 870nm, 880nm, 910nm, 940nm, 1020nm, 1050nm, 1300nm, 1550nm

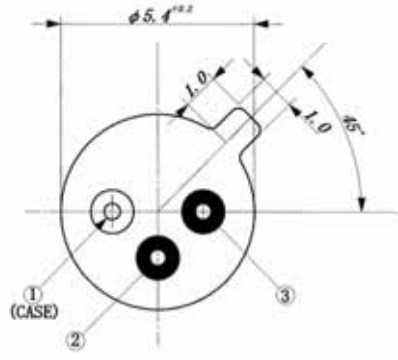
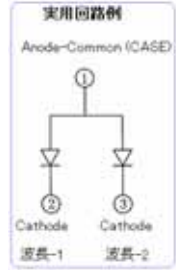
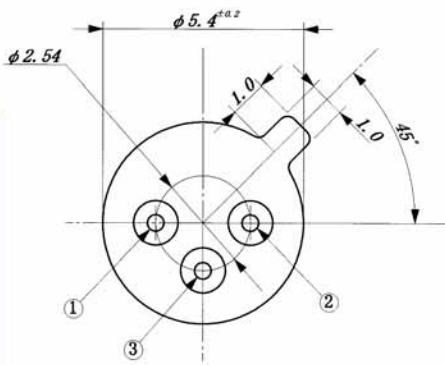
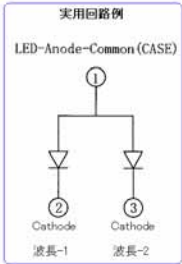
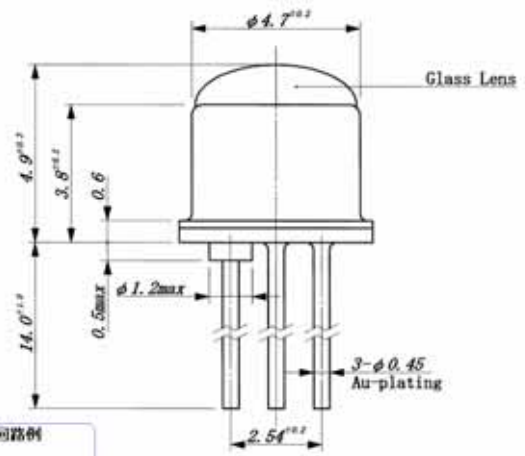
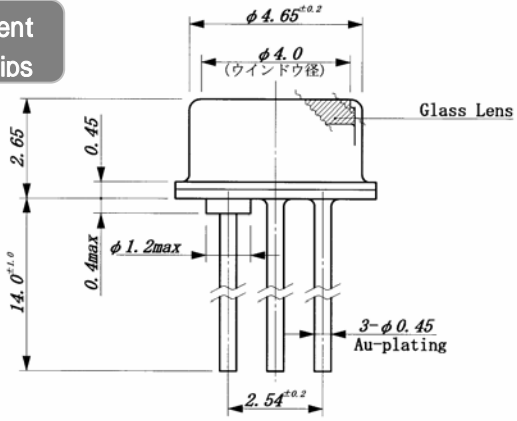
- ✧ **Max. 7 kinds of LED chips can be installed in one package.**
- ✧ **Special wavelength (700~810nm) are available.**
- ✧ **Suitable for the medical equipment and analyzers in various fields.**

ALPHA-ONE ELECTRONICS LTD.

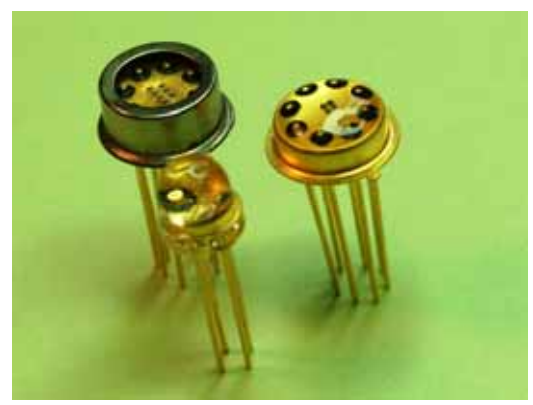
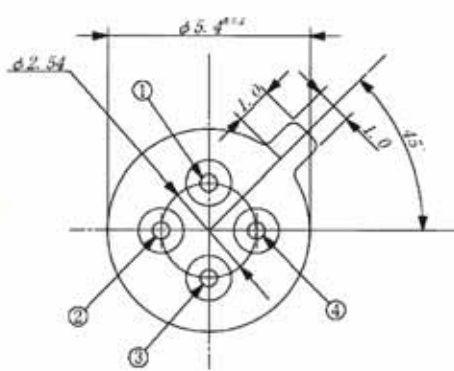
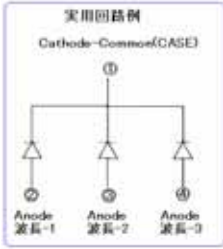
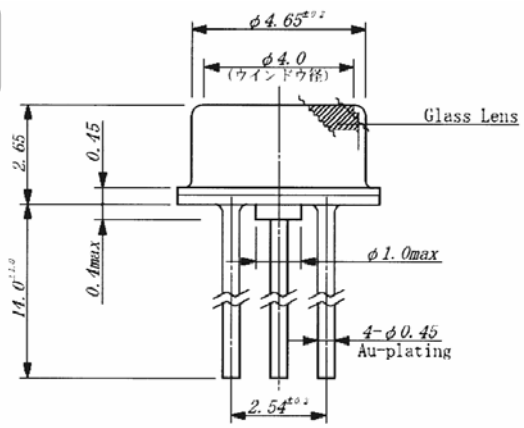
Tel: +81-46-292-7111 Fax: +81-46-292-7113
URL: www.alpha1-eg.com e-mail: info@alpha1-eg.com

Multi-chip LED (Reference drawing)

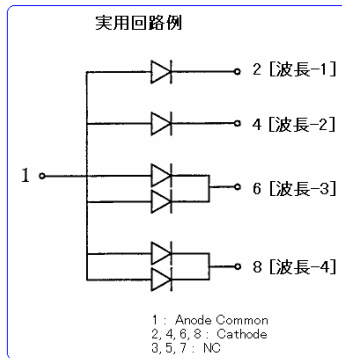
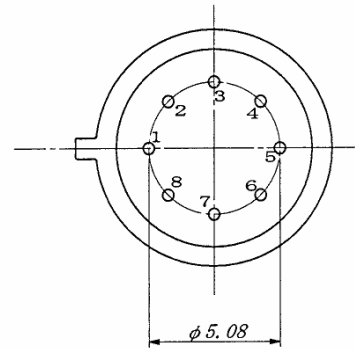
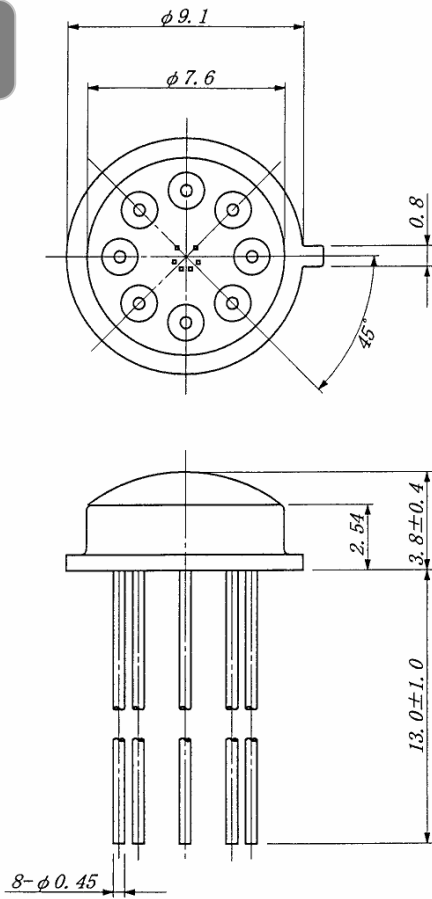
2 different LED chips



3 different LED chips



4 different LED chips



5 different LED chips

