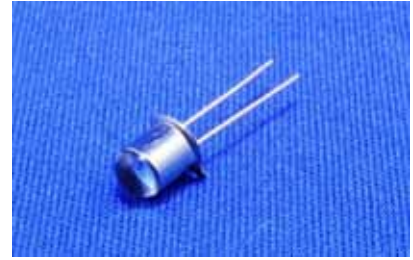


**Silicon Photodiode**

**MODEL No. PD-150M**

*Metal Can + Lens Package*

**Ultra High Speed**  
**Low dark Current**  
**Narrow Angular Response**



**Absolute Maximum Ratings**

Ta=25

Reverse Voltage	Power Dissipation	Operating Temp.	Storage Temp.
VR	PD	Topr	Tstg
(V)	(mW)	( )	( )
30	100	-30 ~ +100	-40 ~ +125

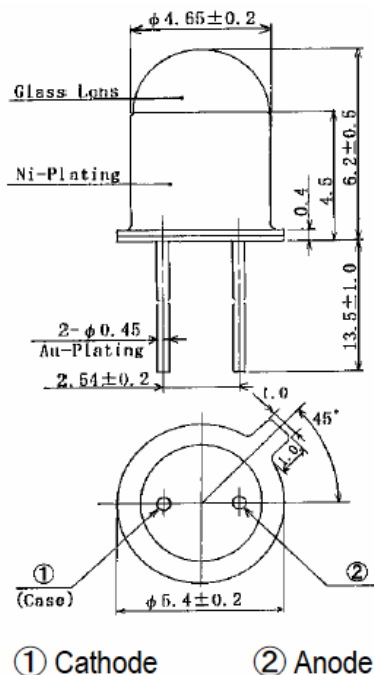
**Electro-Optical Characteristics**

Ta=25

Light Current	Dark Current	Sensitive Range	Peak sensitivity wavelength	Terminal Capacitance	Responsivity	Angular Response	Response Time
IL	Id		$\lambda_p$	Ct	Rt		
Typ ( $\mu$ A)	MAX. (nA)	(nm)	TYP. (nm)	MAX. (pF)	Typ (A/W)	Typ (deg)	Typ (nS)
VR=10V, (*)Ee=5mW/cm <sup>2</sup>	VR=10V, RH<65%			VR=0V, f=1MHz	VR=0V, =900nm		RL=50 VR=20V
120.00	5	400 ~ 1100	850	15	0.55	$\pm 12$	3.5

(\*) Color Temperature=2870 ° K

**External Dimension**



\* The data would be subject to be changed without notice.