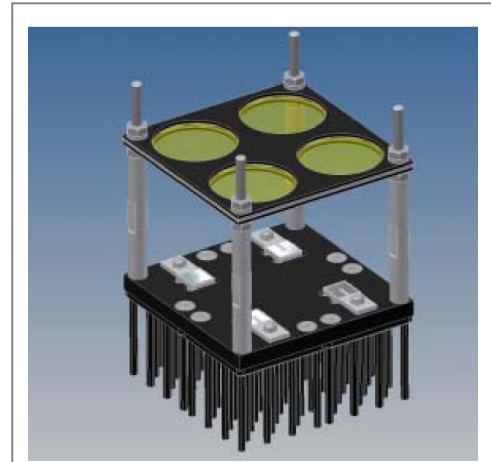


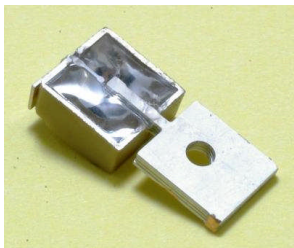
IR Spotlight LED Unit ~HIGH POWER Reflective Mirror Type LED~

Alpha-One's Infrared Spotlight LED unit was developed especially for a long distance radiation by combining 4 pcs of the high power reflective mirror type LED (AOP6-series) and 4 pcs of the Fresnel lens.



◆ Features

- High power LED is installed.
- Excellent beam light (θ 1/2: $\pm 4^\circ$)
- High radiant intensity



AOP6-series

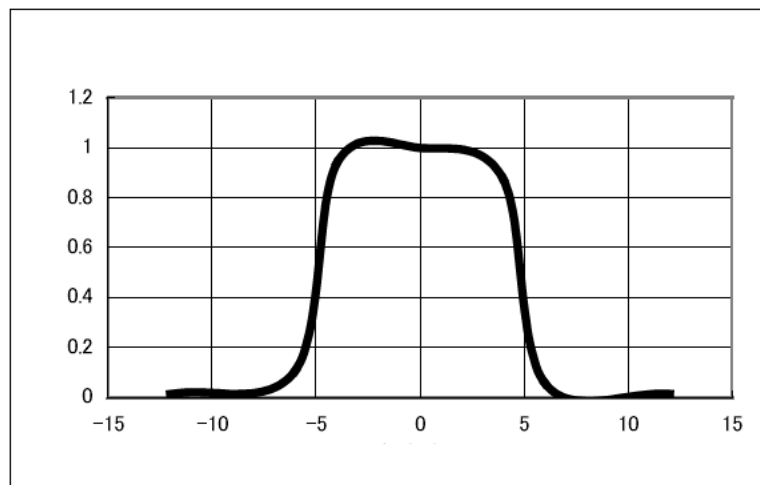
◆ Applications

- CCD camera for watching a license plate
- IR surveillance system for a long-distance
- Light source for security system
- Spatial data communication

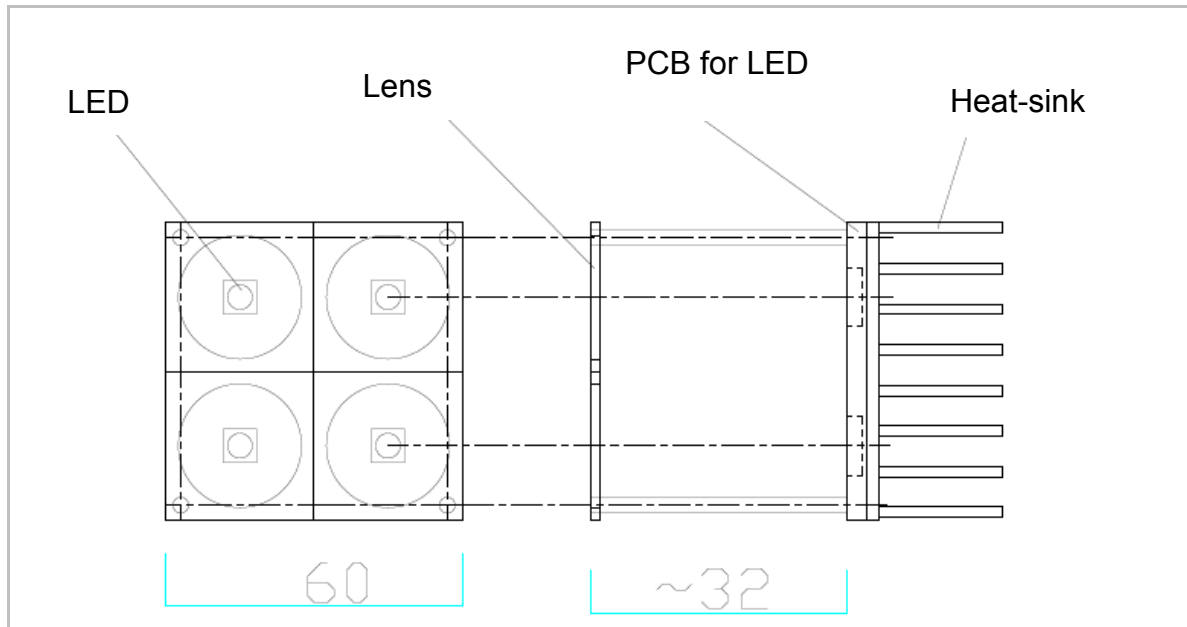
◆ Electrical/optical characteristics

Model No.	Radiant Intensity		Peak wavelength	Viewing Half angle	Remarks
AO850-4U	$I_F=0.65A^{(1)}$	$I_{FP}=8.0A^{(2)}$	Typ. 850nm	$\pm 4^\circ$	1) per LED 2) per LED, duty: 1/30
	16W/sr	160W/sr			
AO940-4U	$I_F=0.5A^{(1)}$	$I_{FP}=14.4A^{(2)}$	Typ. 940nm	$\pm 4^\circ$	1) per LED 2) per LED, duty: 1/30
	10W/sr	20W/sr			

◆ Luminous Intensity Distribution



◆ **External Dimension (unit:mm)**



◆ **Customized example**

The customized model in different dimension, size, wavelength, quantity of LED and circuit can be designed according to each customer's requirement.



If you have any questions, please make contact with us ASAP!
Then, we will make the best proposal and introduce the most suitable model for you.