

LED and Photo diode in single package

Model No. AL130K

LED + Photodiode Model

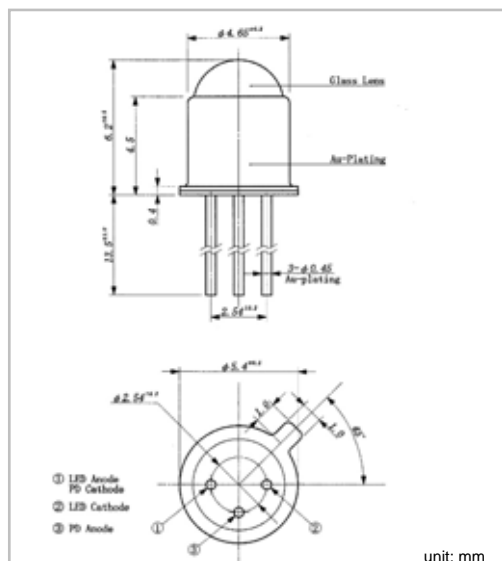
Features

*** Stable intensity ***

For the application with a highly stabilized light source for precise optical system, LED and Photodiode are packaged together.

Applications

- Medical equipment
- Measuring equipment
- Color analyzer



Absolute Maximum Ratings

Ta = 25

Parameter	Symbol	Value	Unit
LED Forward Current (DC)	I _F	100 ⁽¹⁾	mA
LED Pulse Forward Current ^{*1}	I _{FP}	1.0 ⁽¹⁾	A
LED Reverse Voltage (DC)	V _{Re}	5	V
PD Reverse Voltage (DC)	V _{Rd}	20	V
Power Dissipation	P _D	170 ⁽¹⁾	mW
Operating Temperature	Topr	-20 ~ +100 ⁽¹⁾	
Storage Temperature	Tstg	-30 ~ +125 ⁽¹⁾	
Soldering Temperature ^{*2}	Tsol	260	

^{*1} : Tw=10 μs, T=10ms

^{*2} : within 5sec / up to 3.0mm from the body

Electro-optical Characteristics

Ta = 25

Parameter	Symbol		Value	Unit	
Radiated Power	P _O	Min	3.0	mW	I _F = 50mA
		Typ	5.0		
Forward Voltage	V _F	Typ	1.3	V	I _F = 50mA
		Max	1.7		
Reverse Current	I _R	Max	100	μA	V _R = 5V
PD Output Current	I _L	Typ	200	μA	I _F =50mA, V _{Rd} =10V
PD Dark Current	I _D	Max	10	nA	V _{Rd} =10V
Peak Wavelength	λ _p	Typ	880	nm	I _F = 50mA
Half width		Typ	80	nm	I _F = 50mA
Viewing Half Angle	1/2	Typ	± 7	deg.	I _F = 50mA

Revision record

⁽¹⁾ 2005.12.05: data was revised.

The data is subject to changed without notice.